

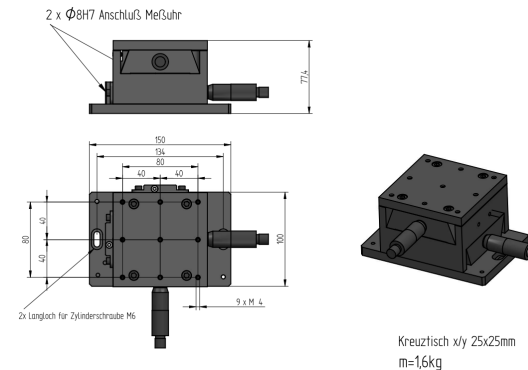
### Combine with the LNP measuring stand

A highly versatile and optimally harmonized modular design leaves nothing to be desired!

Components can be held precisely and can be moved sensitively into measuring position.

The measuring stand is sold separately.

### A strong unit



### Precision cross table

with equipment





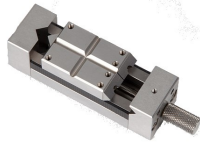
## From the user - for the user



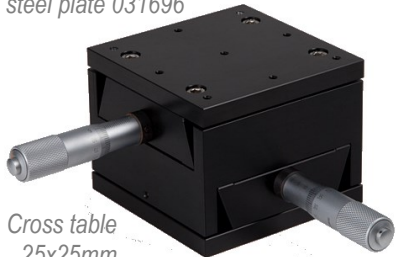
Tilt adjustment in X/Y 031683



Scratch-resistant steel plate 031696



parallel vice 031077



Cross table 25x25mm 031580



Foot plate 031019

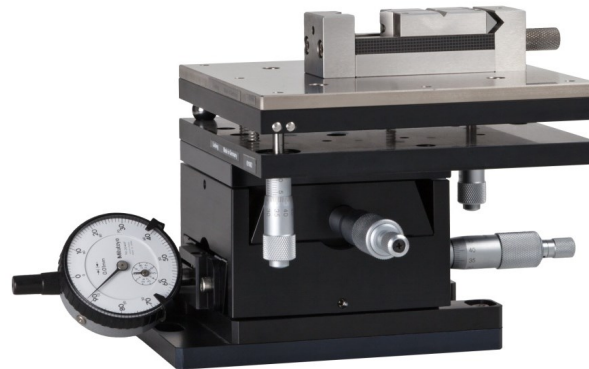


Rotational adjustment in Z 031583

## A strong unit

Due to the 5-point slide this measurement and positioning table can be loaded with up to 30kg. The dimensions of the table are 100x100x80mm with a weight of 4kg.

The adjustment range is 25mm in x and y respectively. The straightness over the entire travel is <math><2\mu\text{m}</math>. The stage has a mechanical Micrometer screws (0.01 mm) and wide range of accessories such as a tilt plate, a rotary plate, etc..



versatile combinations

On the two backsides are additional intake openings for gauges or probes that can be read via data cable

## Technical Data



Volume in mm	100 x 100 x 80
Adjustment range	$\pm 12.5\text{mm}$
Clamping size	150 x 150 mm
Rotational Range in x,y	$\pm 3^\circ$
Rotational Range in z	$\pm 3^\circ$
Max load bearing capacity	30kg
Weight	4 kg

We think ahead...